



Articulated Dumper

D 150 AHA D 150 AHG

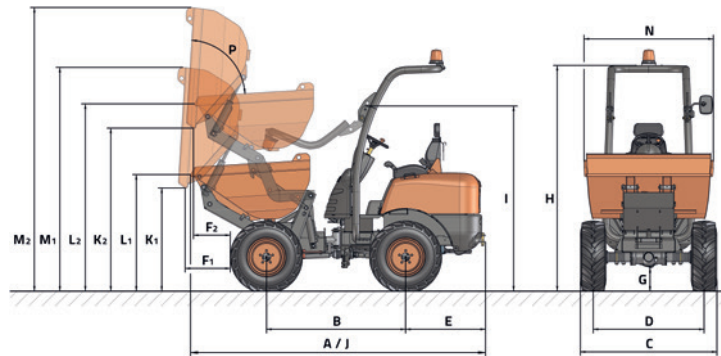


TECHNICAL DATA

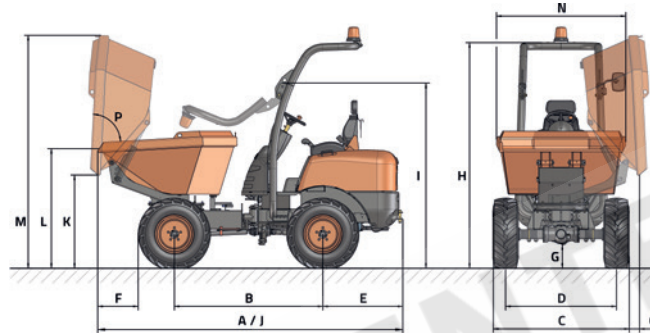
GENERAL		D 150 AHA	D 150 AHG
Unloading system	-	High	Rotating
Load capacity	Kg	1500	1500
Chassis	-	Articulated and oscillating	Articulated and oscillating
Water hopper capacity	l	605	520
Level hopper capacity	l	681	626
Heaped hopper capacity	l	841	900
Empty weight	Kg	1510	1510
Transmission	-	Hydrostatic	Hydrostatic
ENGINE			
Brand	-	KUBOTA	KUBOTA
Model	-	D1105-E4B	D1105-E4B
Power	kW	15.6	15.6
Operating speed	rpm	2400	2400
Torque	N·m@rpm	71.4@1600	71.4@1600
No. of cylinders	-	3	3
Emissions	-	Stage V - EPA Tier4	Stage V - EPA Tier4
Noise	dB(A)	101	101
DRIVING			
Max. speed	Km/h	14	14
Maximum gradient	%	40	40
External turning radius	mm	3260	3260
Traction	-	4x4	4x4
Tyres	-	10.0/75-15.3	10.0/75-15.3
HYDRAULIC SYSTEM			
Hydraulic circuit	-	8 cc gear pump	8 cc gear pump
Flow rate	l/min	17,28	17,28
Working pressure	bar	180	180
TANK CAPACITY			
Fuel	l	23	23
Hydraulic system	l	21.2	21.2
BRAKES			
Service	-	Sealed brakes. Mechanical drive	Sealed brakes. Mechanical drive
Parking	-	Sealed brakes. Mechanical drive	Sealed brakes. Mechanical drive

DIMENSIONS

D 150 AHA



D 150 AHG



DIMENSIONS (mm)	D 150 AHA		D 150 AHG
A	3200		3300
B	1500		1600
C	1480		1480
D	1195		1195
E	860		860
F	460	420	460
G	250		250
H	2440		2440
I	2000		2000
J	3200		3300
K	990	1750	1000
L	1270	2020	1290
M	2300	3050	2500
N	1400		1400
O	-		135
DIMENSIONS (°)			
P	83		83

1 ▲ | ▲ 2



www.ausa.com

Products are subject to modifications without prior notice. Images throughout the spec sheet may refer to non-standard machines or non-available configurations depending on models.

AUSA's logo and corporate identity are property of the Company, they cannot be used without authorization.