

Ama-Porter – Submersible motor pump



Applications:

- Pumping all types of waste water
- Disposal of sludges and solids-laden fluids

More information:

www.ksb.com/products

Your contact:



Ama-Porter – Submersible motor pump

1 High operating reliability

even under tough operating conditions, due to generously sized motor, thermal overload protection by temperature switch integrated in the winding, and encapsulated, watertight motor design.

2 Safe connection

Plug-type connector, polarized to prevent incorrect insertion.

3 Service-friendly

right down to details: wetted bolts made of stainless steel. Easy to dismantle, even after years of operation.

4 Easy installation and removal

Automatic, bolt-free connection for stationary installation; leakage prevented by flexible sealing.

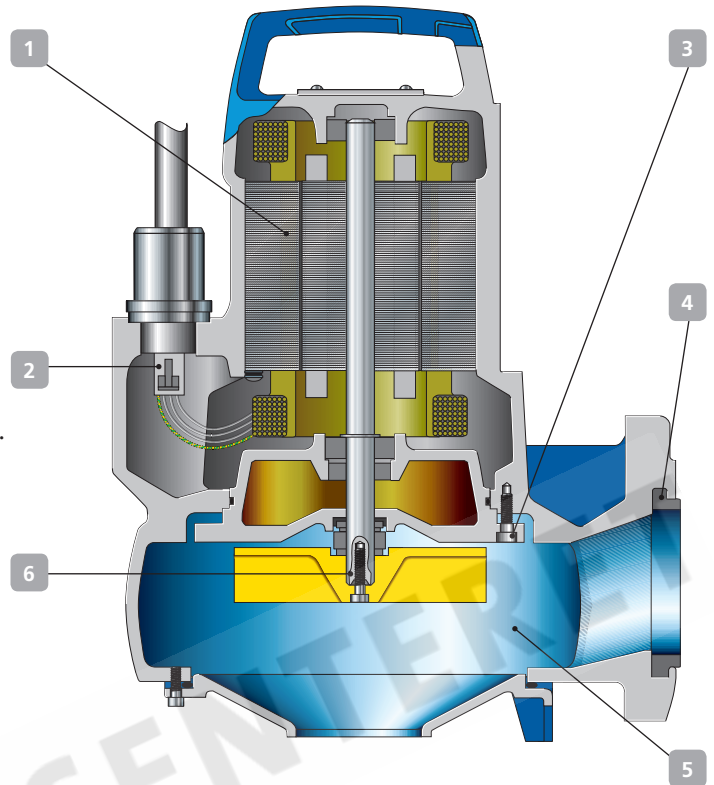
5 Trouble-free operation

Clogging by coarse particles is prevented by

- large passage (free-flow impeller “F”)
- by cutter with high mechanical resistance for waste water (cutter “S”)

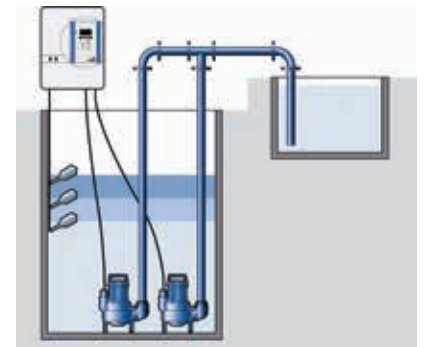
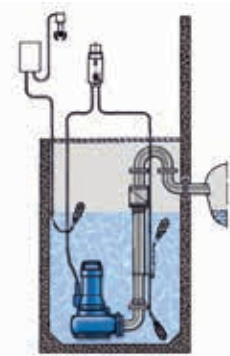
6 Long service life

thanks to shaft made of corrosion-resistant stainless steel and bi-rotational mechanical seal with special SiC/Al₂O₃ contact faces.

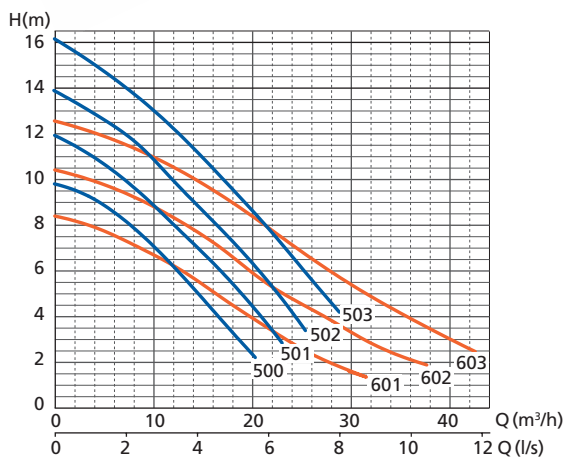


Suggested Ama-Porter installation incl. high water alarm

Suggested Ama-Porter installation with LevelControl Basic 2



Ama-Porter 500/600 performance curves



Technical data

	Ama-Porter	Ama-Porter S
Capacity	Up to 40 m ³ /h (11 l/s)	Up to 17 m ³ /h (4.7 l/s)
Discharge head	16 m	21 m
Motor	1.5 kW with three-phase asynchronous motor 1.1 kW max. with single-phase a.c. motor	
Temperature	Up to +40 °C (+70 °C for short periods)	

Automation options: LevelControl Basic 2



KSB Aktiengesellschaft
Johann-Klein-Straße 9
67227 Frankenthal (Germany)
www.ksb.com